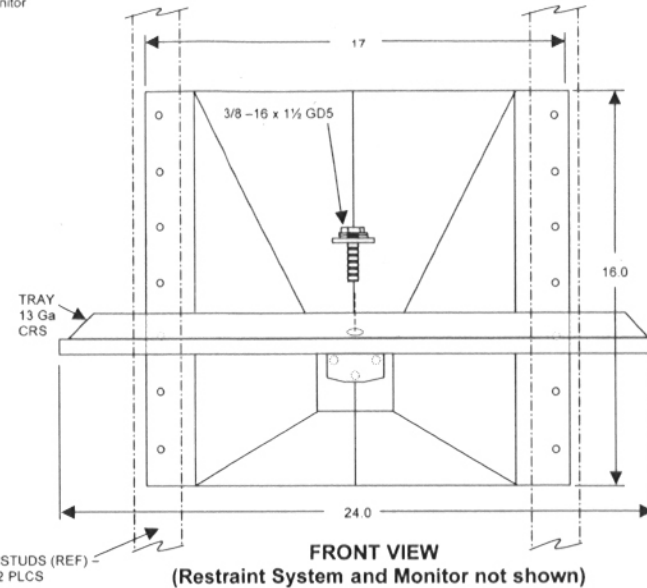
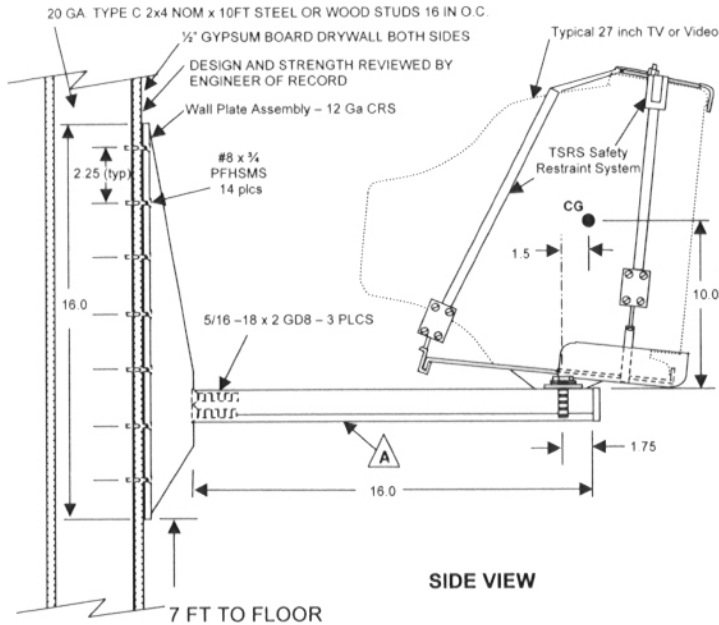


**MAXIMUM LOAD – 40 KG / 88 LBS  
DOUBLE STUD INSTALLATION**



**APPROVED**  
Fixed Equipment Anchorage  
Office of Statewide Health Planning and Development  
OPA-0644  
on  
Tuesday, February 15, 2005  
\*\*\*\* Valid for 3 Years Maximum \*\*\*\*  
*Anthony R. Pike*  
Anthony R. Pike (916) 654-1477



**A** SEE PAGE 15

**TABLE A**

Component	Size (inches)	Material	Fasteners	Notes
Wall Plate Assembly	16.0 x 17.0 x 2.0	12 Gauge CRS	14 ea. #8 x 3/4 PFHMS* 14 ea. #6 or greater 2-1/4 Drywall Wood Screws**	*To 20 Ga 1-1/4 x 3-1/2 or better Steel Studs **To 1-1/2 x 3-1/2 or better Wood Studs
Arm <b>A</b>	16.0 x 2.25 x 1.25	Westbrook Engineering Proprietary 6063-T6 Aluminum Extrusion	3 ea. 5/16-18 x 2 GD8 Flathead Torx40TS	Arm to Wall Plate
Tray	24.0 x 10.75	13 Gauge CRS	1 ea. 3/8-16 x 1 1/2 Hex Head MS GD5 1 ea. 2 1/2 dia. X .17thk Steel Flat Washer 2 ea. 3/8 Flat Washer	Tray to Arm TV/Monitor attached to tray with TSRS 27 Restraint System

©COPYRIGHT 2004. THIS DOCUMENT CONTAINS INFORMATION WHICH SHALL NOT BE REPRODUCED, TRANSFERRED TO OTHER DOCUMENTS, DISCLOSED TO OTHERS USED FOR MANUFACTURING, OR ANY OTHER PURPOSE, WITHOUT THE WRITTEN AUTHORIZATION FROM WESTBROOK ENGINEERING, INC.

**TELEMOUNT 20-27 SURFACE WALL MOUNT**

Part #: TEL2027SWM

Material: See Table A

Tolerance: 0.00 +/- .005  
0.000 +/- .003  
All dimensions in inches  
Drawn by: MM  
Date: 8/12/04  
File: SWM27\_6

**Westbrook Engineering, Inc.**  
(650) 594-0962