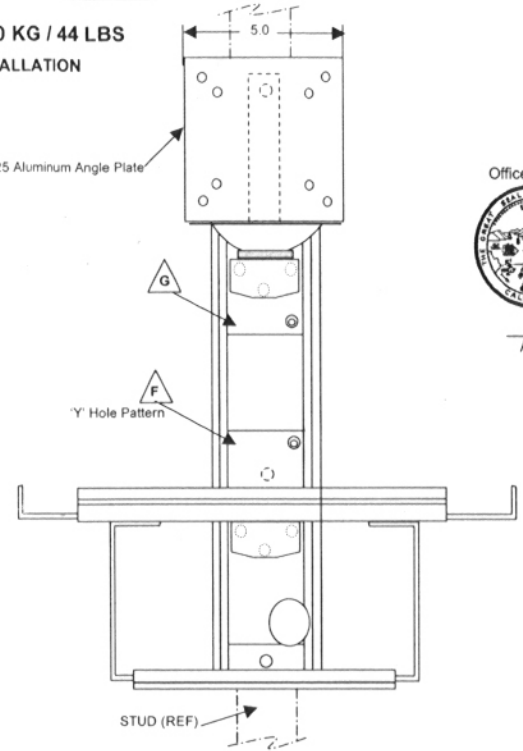


MAXIMUM LOAD – 20 KG / 44 LBS
SINGLE STUD INSTALLATION



APPROVED
Fixed Equipment Anchorage
 Office of Statewide Health Planning and Development
 OPA-0644
 on
 Tuesday, February 15, 2005
 **** Valid for 3 Years Maximum ****
Anthony R. Pike
 Anthony R. Pike (916) 654-1477



△ A △ D SEE PAGE 15 △ F △ G SEE PAGE 16 △ I SEE PAGE 17

TABLE A

Component	Size (inches)	Material	Fasteners	Notes
Wall Track △ I	19.0 x 3.5	Westbrook Engineering Proprietary 6063-T6 Aluminum Extrusion	4 ea. 1/4 x 1.75 Phillips Panhead SMS	To a Single 20 Ga 1-1/4 x 3-1/2 or better Steel Stud Minimum 313 lbs pullout Wood or Steel
Slides △ G △ F	2.5 x 7.0 x .5 2.5 x 3.5 x .5	Westbrook Engineering Proprietary 6063-T6 Aluminum Extrusion with Delrin Buffers		
Arms △ A	13.0 x 2.25 x 1.25 18.0 x 2.25 x 1.25	Westbrook Engineering Proprietary 6063-T6 Aluminum Extrusion	3 ea. 5/16-18 x 2 Flathead Torx40TS (each arm)	Arm to Slide
"C" Type Cup Assembly △ D	5.0" diameter	316 Stainless Steel	1/4-28 MS w/Delrin Friction Washer and ESNA nut	Adjusted for cup movement @ 10 Ft-Lbs
FPD Mounting Plate Assembly	5.0" x 5.0" x .125	Westbrook Engineering Proprietary 6063-T6 Aluminum Extrusion	4 ea. #10-32 x .375 PFHMS & SS press nuts* 4 ea. #8 or M4 MS (min)**	*Plate to cup **Adapter Plate to Instrument

©COPYRIGHT 2004. THIS DOCUMENT CONTAINS INFORMATION WHICH SHALL NOT BE REPRODUCED, TRANSFERRED TO OTHER DOCUMENTS, DISCLOSED TO OTHERS USED FOR MANUFACTURING, OR ANY OTHER PURPOSE, WITHOUT THE WRITTEN AUTHORIZATION FROM WESTBROOK ENGINEERING, INC.

FLAT PANEL DISPLAY WALL MOUNT

Part #: FPD24WM

Material: See Table A

Tolerance 0.00 +/- .005 0.000 +/- .003 All dimensions in inches	Drawn by: MM Date: 8/12/04 File: FPD24WM_6
---	--

Westbrook Engineering, Inc.
 (650) 594-0962