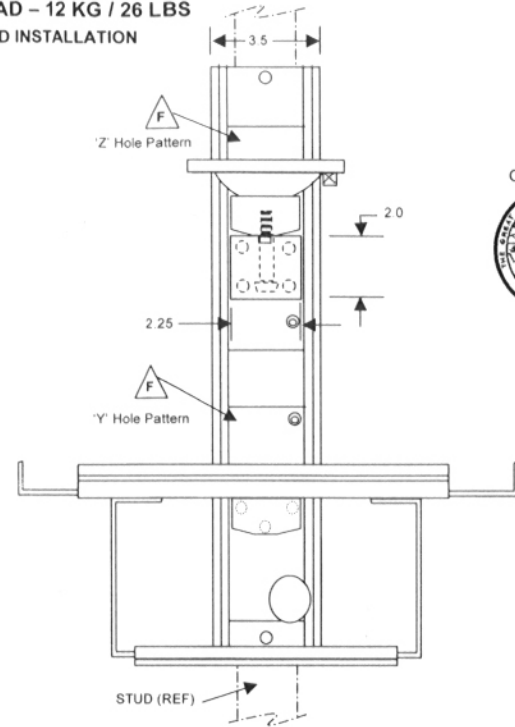


**MAXIMUM LOAD – 12 KG / 26 LBS
SINGLE STUD INSTALLATION**



SIDE VIEW

FRONT VIEW

△ △ SEE PAGE 15 △ △ SEE PAGE 16 △ SEE PAGE 17

TABLE A

Component	Size (inches)	Material	Fasteners	Notes
Wall Track △	19.0 x 3.5	Westbrook Engineering Proprietary 6063-T6 Aluminum Extrusion	4 ea. 1/4 x 1.75 Phillips Panhead SMS	To a Single 20 Ga 1-1/4 x 3-1/2 or better Steel Stud Minimum 313 lbs Pullout Wood or Steel
Slide △	2.5 x 7.0 x 5	Westbrook Engineering Proprietary 6063-T6 Aluminum Extrusion with Delrin Buffers		
Swivel Block	3.0 x 2.25 x 2.0	6061-T6 Aluminum	4 ea. 5/16-18 x 2 Flathead Torx40TS	Swivel Block to Slide
Arm △	15.0 x 2.25 x 1.25	Westbrook Engineering Proprietary 6063-T6 Aluminum Extrusion	1/2 x 2 Shoulder MS Swivel Block* 3 ea. 5/16-18 x 2 Flathead Torx40TS**	*Arm to Swivel Block (Monitor Mount) **Arm to Slide (Keyboard and Mouse Shelf)
"C" Type Cup Assembly △	5.0" diameter	316 Stainless Steel	1/4-28 MS w/Delrin Friction Washer and ESNA nut	Adjusted for cup movement @ 10 Ft-Lbs
Mounting Plate Assembly △	5.0" x 5.0" x 1.25	Westbrook Engineering Proprietary 6063-T6 Aluminum Extrusion	4 ea M5 x 12mm MS and M5 stop nuts* **A" – 4 ea. #8 or M4 MS (min)**	*Plate to cup **Adapter Plate to Instrument

APPROVED
Fixed Equipment Anchorage
 Office of Statewide Health Planning and Development
 OPA-0644
 on
 Tuesday, February 15, 2005
 **** Valid for 3 Years Maximum ****
Anthony R. Pike
 Anthony R. Pike (916) 654-1477



©COPYRIGHT 2004. THIS DOCUMENT CONTAINS INFORMATION WHICH SHALL NOT BE REPRODUCED, TRANSFERRED TO OTHER DOCUMENTS, DISCLOSED TO OTHERS USED FOR MANUFACTURING, OR ANY OTHER PURPOSE, WITHOUT THE WRITTEN AUTHORIZATION FROM WESTBROOK ENGINEERING, INC.

**ULTIMOUNT FOLDING ARM
A B or C WALL MOUNT**

Part #: ULTFA4-15

Material: See Table A

Tolerance: 0.00 +/- .005
 0.000 +/- .003
 All dimensions in inches

Drawn by: MM
 Date: 8/12/04
 File: ULTFA15_6

Westbrook Engineering, Inc.
 (650) 594-0962