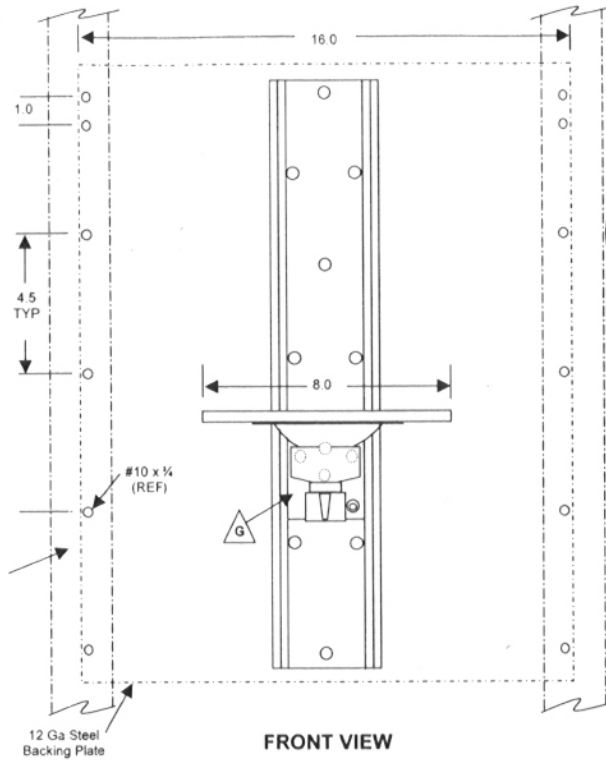
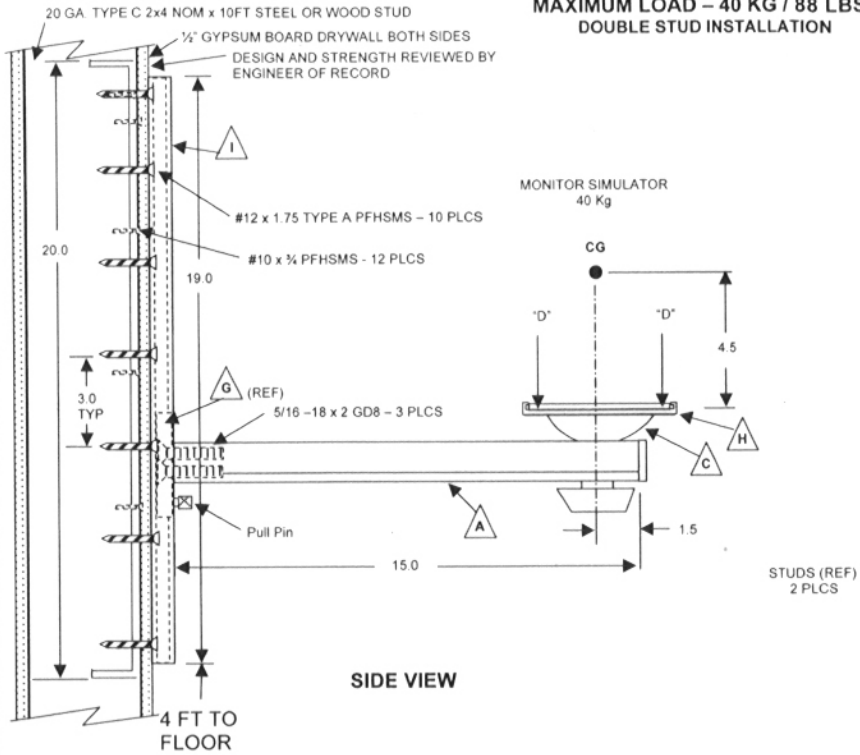


**MAXIMUM LOAD – 40 KG / 88 LBS  
DOUBLE STUD INSTALLATION**



**APPROVED**  
Fixed Equipment Anchorage  
Office of Statewide Health Planning and Development  
OPA-0644  
on  
Tuesday, February 15, 2005  
\*\*\*\* Valid for 3 Years Maximum \*\*\*\*  
*Anthony R. Pike*  
Anthony R. Pike (916) 654-1477



**SIDE VIEW**

**FRONT VIEW**

**TABLE A**

**A** **C** SEE PAGE 15      **G** **H** SEE PAGE 16      **I** SEE PAGE 17

Component	Size (inches)	Material	Fasteners	Notes
Backing Plate	20.0 x 16.0	12 Gauge CRS	12 ea. #10 x 3/4 PFHMS* 12 ea. #6 or greater 2-1/2 Drywall Wood Screws**	*For 20 Gauge 1-1/4 x 3-1/2 or better Steel Studs **For 1-1/2 x 3-1/2 or better Wood Studs
Wall Track <b>I</b>	19.0 x 3.5	Westbrook Engineering Proprietary 6063-T6 Aluminum Extrusion	10 ea. #12 x 1.75 PFHMS	Wall Plate to Backing Plate
Slide <b>G</b>	2.5 x 3.5 x .5	Westbrook Engineering Proprietary 6063-T6 Aluminum Extrusion with Delrin Buffers		
Arm <b>A</b>	15.0 x 2.25 x 1.25	Westbrook Engineering Proprietary 6063-T6 Aluminum Extrusion	3 ea. 5/16-18 x 2 GD8 Flathead Torx40TS	Arm to Slide
"A" or "B" Type Cup Assembly <b>C</b>	5.0" diameter	316 Stainless Steel	1/2-28 MS w/Clevis-Link-Elevator	Tilt adjusts by turning knob
Mounting Plate Assembly <b>H</b>	5.0" x 8.0" x .125	Westbrook Engineering Proprietary 6063-T6 Aluminum Extrusion	4 ea M5 x 12mm MS and M5 stop nuts or #10-32 x 3/8 PFHMS and press nuts*	*Plate to cup
			"D" – 4 ea. #8 or M4 MS (min)**	**Adapter Plate to Instrument

©COPYRIGHT 2004. THIS DOCUMENT CONTAINS INFORMATION WHICH SHALL NOT BE REPRODUCED, TRANSFERRED TO OTHER DOCUMENTS, DISCLOSED TO OTHERS USED FOR MANUFACTURING, OR ANY OTHER PURPOSE, WITHOUT THE WRITTEN AUTHORIZATION FROM WESTBROOK ENGINEERING, INC.

**ULTIMOUNT A or B  
WALL MOUNT**

Part #: ULT4-15A or ULT4-15B

Material See Table A

Tolerance: 0.00 +/- .005 0.000 +/- .003 All dimensions in inches	Drawn by: MM Date: 8/12/04 File: Ultmount15B_5
------------------------------------------------------------------------	------------------------------------------------------

**Westbrook Engineering, Inc.**  
(650) 594-0962