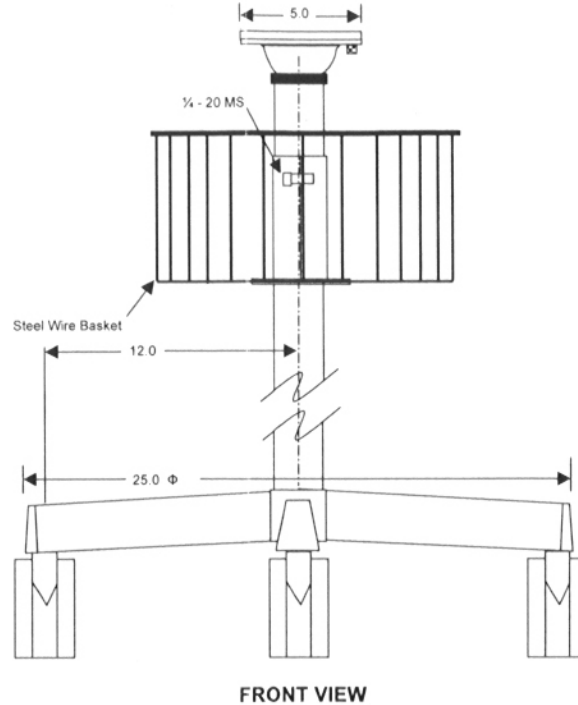
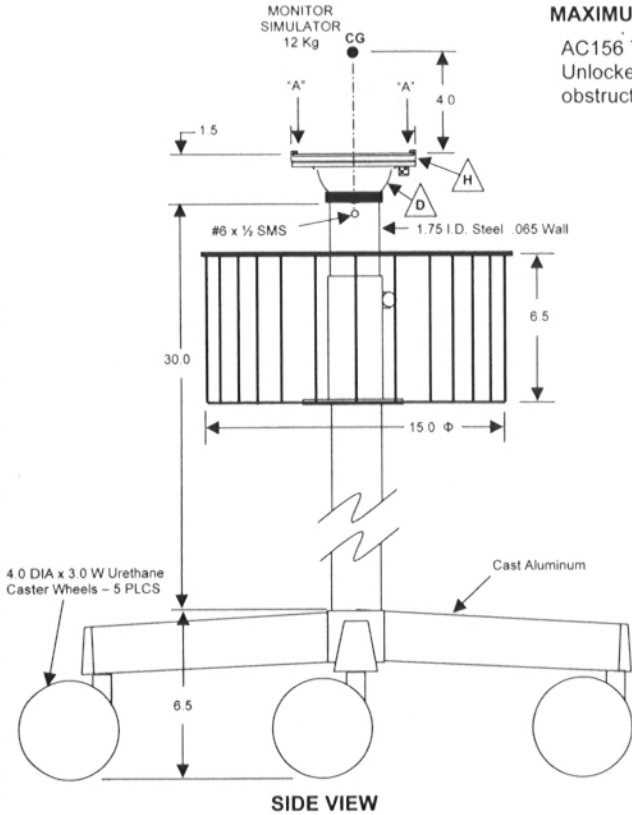


**MAXIMUM LOAD – 12 KG / 26 LBS**

AC156 Test Conditions – All Wheels Unlocked on flat hard surface with no obstructions



$\Delta$  SEE PAGE 15      $\nabla$  SEE PAGE 16

**TABLE A**

Component	Size (inches)	Material	Fasteners	Notes
Casters (5 ea.)	4.0 Dia x 3.0 Wide Dual Wheel	Urethane		
Base	26.0 Dia	Five Leg Cast Aluminum		
Column	1.75 I.D. x 32.0 x .065	Steel, Chrome Plated		
"C" Type Cup Assembly $\Delta$	5.0" diameter	316 Stainless Steel Cup w/ Delrin Socket	1/4-28 MS w/Delrin Friction Washer and ESNA nut	Adjusted for cup movement @ 10 Ft-Lbs
Mounting Plate $\nabla$	5.0" x 5.0" x 0.2"	Westbrook Engineering Proprietary 6063-T6 Aluminum Extrusion	4 ea. M5 x 0.5 w/ESNA Nuts	
Basket	15" Dia x 6.5 High	Steel Wire	1/4-20 x 1.0 SOCAPMS	

**APPROVED**  
**Fixed Equipment Anchorage**  
 Office of Statewide Health Planning and Development  
 OPA-0644  
 on  
 Tuesday, February 15, 2005  
 \*\*\*\* Valid for 3 Years Maximum \*\*\*\*  
*Anthony R. Pike*  
 Anthony R. Pike (916) 654-1477



©COPYRIGHT 2004. THIS DOCUMENT CONTAINS INFORMATION WHICH SHALL NOT BE REPRODUCED, TRANSFERRED TO OTHER DOCUMENTS, DISCLOSED TO OTHERS USED FOR MANUFACTURING, OR ANY OTHER PURPOSE, WITHOUT THE WRITTEN AUTHORIZATION FROM WESTBROOK ENGINEERING, INC.

**ROLLING STAND**

**Part # : RS30**

Material: See Table A

Tolerance: 0.00 +/- .005 0.000 +/- .003 All dimensions in inches	Drawn by: MM Date 8/12/04 File: RollingStand_6
--	--

**Westbrook Engineering, Inc.**  
 (650) 594-0962