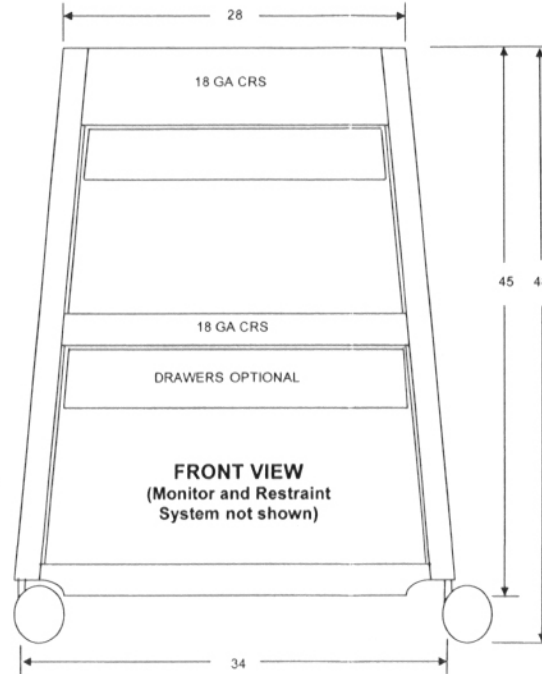
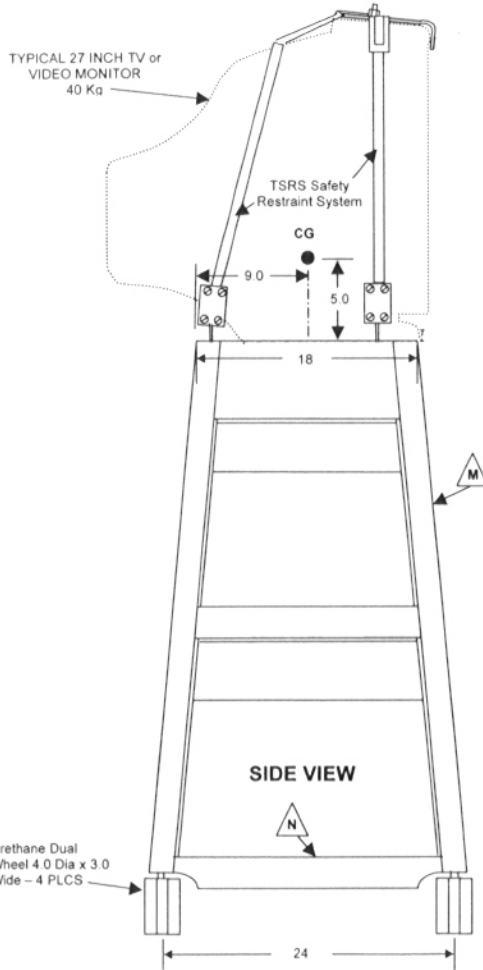


**MAXIMUM LOAD – 40 KG / 88 LBS**

AC156 Test Conditions – All Wheels Unlocked on flat hard surface with no obstructions



**APPROVED**  
Fixed Equipment Anchorage  
Office of Statewide Health Planning and Development



OPA-0644

on

Tuesday, February 15, 2005

\*\*\*\* Valid for 3 Years Maximum \*\*\*\*

*Anthony R. Pike*  
Anthony R. Pike (916) 654-1477



2-7-05

©COPYRIGHT 2004. THIS DOCUMENT CONTAINS INFORMATION WHICH SHALL NOT BE REPRODUCED, TRANSFERRED TO OTHER DOCUMENTS, DISCLOSED TO OTHERS USED FOR MANUFACTURING, OR ANY OTHER PURPOSE, WITHOUT THE WRITTEN AUTHORIZATION FROM WESTBROOK ENGINEERING, INC.

**STABILINE CART**

Part # : SC483626

Material: See Table A

Tolerance: 0.00 +/- .005 0.000 +/- .003 All dimensions in inches	Drawn by: MM Date: 8/12/04 File: Stabiline_6
--	--

**Westbrook Engineering, Inc.**  
(650) 594-0962

SEE PAGE 16

**TABLE A**

Component	Size (inches)	Material	Fasteners	Notes
Castors (4 ea.)	4.0 Dia x 3.0 Wide Dual Wheel	Urethane		
Frame	26.0 x 36.0 @ Base 18.0 x 28.0 @ Top	Westbrook Engineering Proprietary 6063-T6 Aluminum Extrusions		
Shelves and Top	18.0 x 28.0 @ Top	18 Gauge CRS		