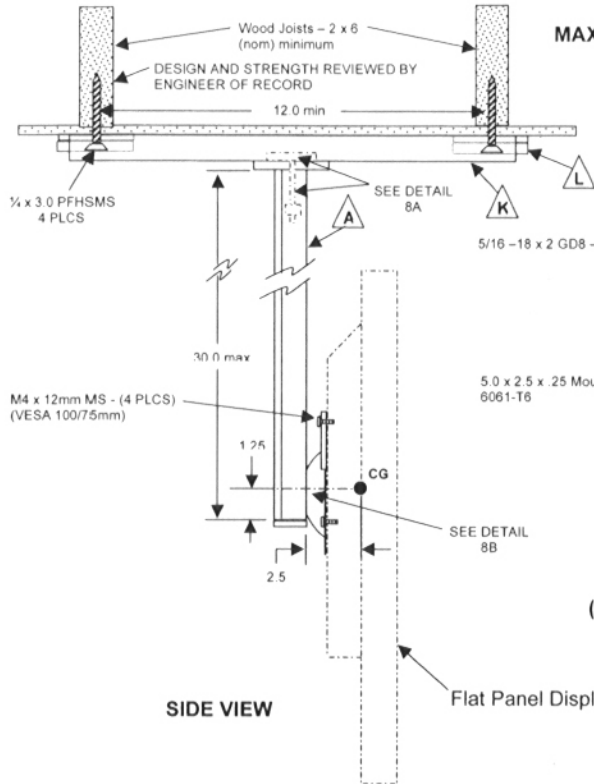
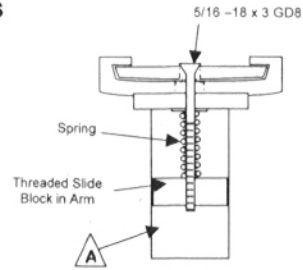


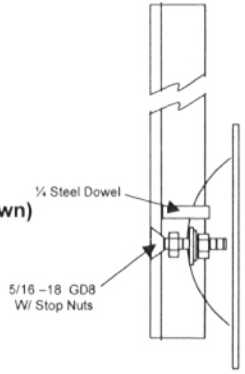
MAXIMUM LOAD – 20 KG / 44 LBS



FRONT VIEW
(Flat Panel Display not shown)



DETAIL 8A



DETAIL 8B

APPROVED
Fixed Equipment Anchorage
 Office of Statewide Health Planning and Development
 OPA-0644
 on
 Tuesday, February 15, 2005
 ***** Valid for 3 Years Maximum *****
Anthony R. Pike
 Anthony R. Pike (916) 654-1477



A SEE PAGE 15 **K** **L** SEE PAGE 17

TABLE A

Component	Size (inches)	Material	Fasteners	Notes
Ceiling Slides L	4.0 x 3.0	Westbrook Engineering Proprietary 6063-T6 Aluminum Extrusion	2 ea. 1/4 x 3.0 PFHMS for each of 2 Slides*	*For wood ceiling joists
Ceiling Track K	14.0 min x 5.0	Westbrook Engineering Proprietary 6063-T6 Aluminum Extrusion		Mounts 12 to 24 inch centers
Arm A	30.0 max x 2.25 x 1.25	Westbrook Engineering Proprietary 6063-T6 Aluminum Extrusion	3 ea. 5/16-18 x 2 Flathead Torx40TS 5/16 x 3.0 FH GD8 with Tension Spring & Delrin Washers	Arm to Pivot Block
Cup Assembly	5.0" diameter	316 Stainless Steel	5/16-18 x 1.5 MS w/Delrin Friction Washer and ESNA nut	Adjusted for cup movement @ 10 Ft-Lbs
Mounting Plate Adapter	5 x 2.25 x .25	6061-T6 Aluminum	2 ea. M4 x 12mm PFHMS (top) 2 ea. M4 x 12mm PPHMS (bottom)	Industry Standard VESA 100mm x 100mm

©COPYRIGHT 2004 THIS DOCUMENT CONTAINS INFORMATION WHICH SHALL NOT BE REPRODUCED, TRANSFERRED TO OTHER DOCUMENTS, DISCLOSED TO OTHERS USED FOR MANUFACTURING, OR ANY OTHER PURPOSE, WITHOUT THE WRITTEN AUTHORIZATION FROM WESTBROOK ENGINEERING, INC.

ALTAMOUNT FLAT PANEL DISPLAY CEILING MOUNT

Part # : FPD30CM

Material: See Table A

Tolerance: 0.00 +/- .005 0.000 +/- .003 All dimensions in inches	Drawn by: MM Date: 8/12/04 File: FPD24CM_5
--	--

Westbrook Engineering, Inc.
(650) 594-0962