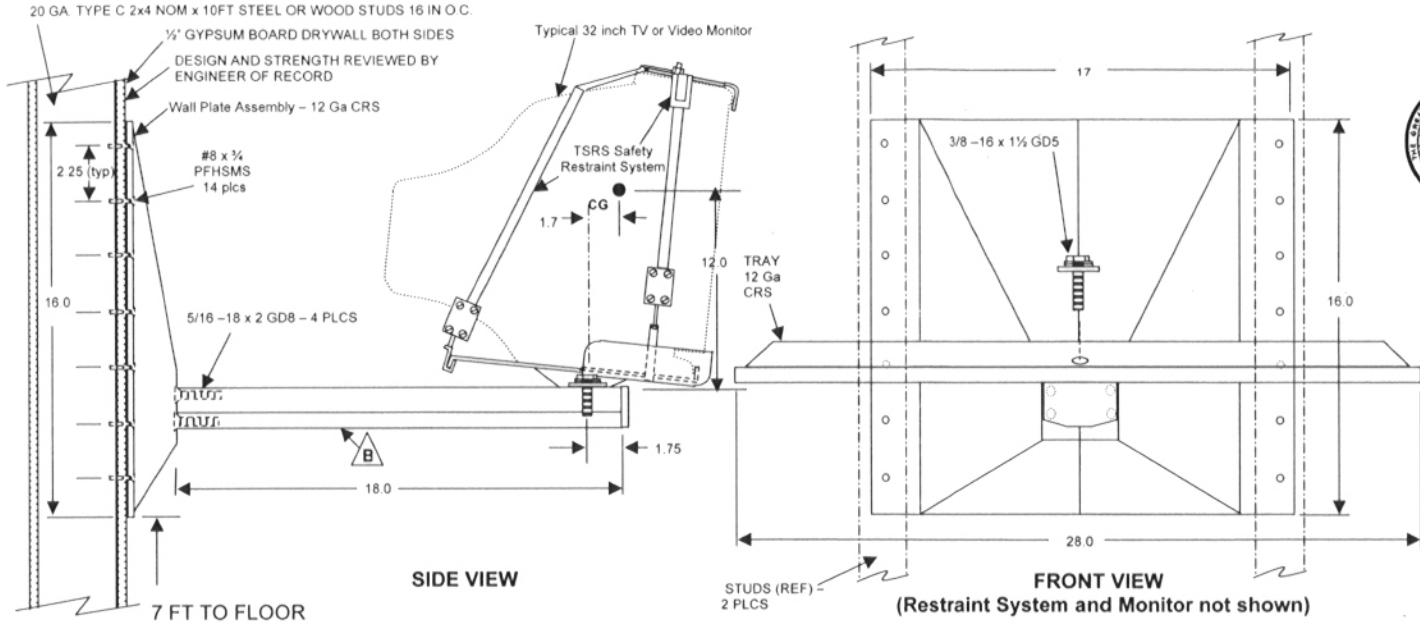


**MAXIMUM LOAD – 60 KG / 133 LBS
DOUBLE STUD INSTALLATION**



APPROVED
Fixed Equipment Anchorage
 Office of Statewide Health Planning and Development
 OPA-0644
 on
 Tuesday, February 15, 2005
 **** Valid for 3 Years Maximum ****
Anthony R. Pike
 Anthony R. Pike (916) 654-1477



B SEE PAGE 15

TABLE A

Component	Size (inches)	Material	Fasteners	Notes
Wall Plate Assembly	16.0 x 17.0 x 2.0	12 Gauge CRS	14 ea. #8 x 1/4 PFHMS* 14 ea. #6 or greater 2-1/4 Drywall Wood Screws**	*To 20 Ga 1-1/4 x 3-1/2 or better Steel Studs **To 1-1/2 x 3-1/2 or better Wood Studs
Arm B	18.0 x 3.0 x 1.5	Westbrook Engineering Proprietary 6063-T6 Aluminum Extrusion	4 ea. 5/16-18 x 2 GD8 Flathead Torx40T5	Arm to Wall Plate
Tray	28.0 x 10.75	12 Gauge CRS	1 ea. 3/8-16 x 1 1/2 Hex Head MS GD5 1 ea. 2 1/2 dia. X .17thk Steel Flat Washer 2 ea. 3/8 Flat Washer	Tray to Arm TV/Monitor attached to tray with TSRS 32 Restraint System

©COPYRIGHT 2004. THIS DOCUMENT CONTAINS INFORMATION WHICH SHALL NOT BE REPRODUCED, TRANSFERRED TO OTHER DOCUMENTS, DISCLOSED TO OTHERS USED FOR MANUFACTURING, OR ANY OTHER PURPOSE, WITHOUT THE WRITTEN AUTHORIZATION FROM WESTBROOK ENGINEERING, INC.

TELEMOUNT 32 SURFACE WALL MOUNT

Part # : TEL32SWM

Material: See Table A

Tolerance 0.00 +/- .005
0.000 +/- .003
All dimensions in inches

Drawn by: MM
Date: 8/12/04
File: SWM32_6

Westbrook Engineering, Inc.
 (650) 594-0962